

NG

DUCTILE IRON GATE VALVE BS 3464

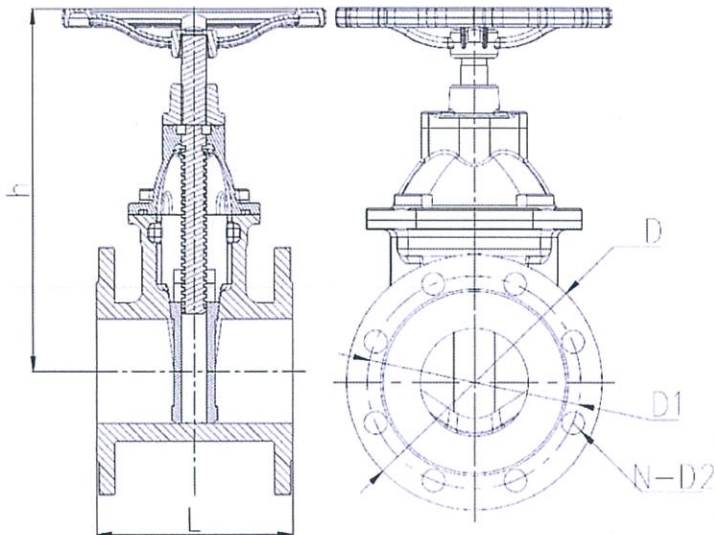
Double Flange Resilient Seated Ductile Iron PN 10
(NON-RISING STEM)

DESCRIPTION

Valve is suitable for use on water pipelines as opening and closing.

Working temperature not exceeding 70°C.

Working pressure PN 10.



- Diameter range: **DN50-DN300**
- Flange drill to BS 10 Table E
- Brand: **NG**

DIMENSIONS

Size	D	D1	N - D2	L	H
DN 50	Ø160	Ø114.1	4 - Ø19	146	240
DN 80	Ø195	Ø146.1	4 - Ø19	165	280
DN 100	Ø215	Ø177.8	8 - Ø19	171	315
DN 150	Ø280	Ø235	8 - Ø23	210	390
DN 200	Ø335	Ø292.1	8 - Ø23	241	470
DN 250	Ø405	Ø355.6	12 - Ø23	273	570
DN 300	Ø455	Ø406.4	12 - Ø28	305	630

SPECIFICATIONS

Description	Material Specification
Body	Ductile Iron, BS EN 1563 Grade 420/12
Wedge (Resilient Seat)	Ductile Iron Fully Vulcanized with NBR
Stem Nut	Copper Alloy, BS 1400 LG2
Stem	Stainless Steel, BS 970 Grade 420
Stem Cap	Ductile Iron, BS EN 1563 Grade 420/12